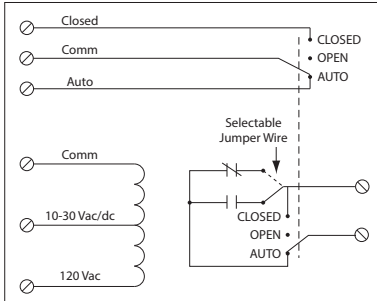


15 AMP TRACK MOUNT CONTROL RELAYS

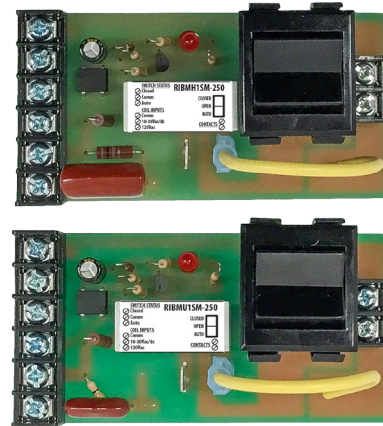
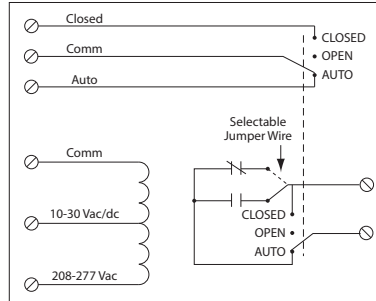
RIBMU1SM-250

4.00" Track Mount Relay 15 Amp SPST +
Override + Monitor with 10-30 Vac/dc/
120 Vac Coil



RIBMH1SM-250

4.00" Track Mount Relay 15 Amp SPST +
Override + Monitor with 10-30 Vac/dc/
208-277 Vac Coil



Meets "Buy American" of ARRA 2009

SPECIFICATIONS

Relays & Contact Type: One (1) SPST Continuous Duty Coil

Expected Relay Life: 10 million cycles minimum mechanical

Operating Temperature: -30 to 140° F

Humidity Range: 5 to 95% (noncondensing)

Operate Time: 20ms

Relay Status: LED On = Activated

Dimensions: 2.000" x 4.000" x 1.750"

Track Mount: 4.000", See MT4 Series on page 152

MT4 Mounting Track Sold Separately

Approvals: UL Listed, UL916, UL864, C-UL

California State Fire Marshal

Gold Flash: Yes

Override Switch: Yes + Monitor

Contact Ratings:

15 Amp Resistive @ 125 Vac

10 Amp Resistive @ 250 Vac

345 VA Pilot Duty @ 120/240 Vac (N/O)

211 VA Pilot Duty @ 120/240 Vac (N/C)

1/3 HP for N/O @ 120-240 Vac

1/6 HP for N/C @ 120-240 Vac

Coil Voltage Input:

10-30 Vac/dc; 120 Vac; 50-60 Hz (RIBMU1SM-250)

10-30 Vac/dc; 208-277 Vac; 50-60 Hz (RIBMH1SM-250)

Drop Out = 2.1 Vac / 2.8 Vdc

Pull In = 9 Vac / 10 Vdc

Coil Current:

33 mA @ 10 Vac 13 mA @ 10 Vdc

35 mA @ 12 Vac 15 mA @ 12 Vdc

46 mA @ 24 Vac 18 mA @ 24 Vdc

55 mA @ 30 Vac 20 mA @ 30 Vdc

28 mA @ 120 Vac (RIBMU1SM-250)

39 mA @ 208-277 Vac (RIBMH1SM-250)

Notes:

- Normally Open or Normally Closed selected by yellow jumper wire
- Second pole of override switch can be connected to digital-in of controller to report position of override switch
- Rating of second pole is 50 Vac/dc, 0.25 Amp max